

SONY[®]

5-038-071-11(1)

Video Projector

Setup Guide _____ **GB**

Manuel de configuration _____ **FR**

VPL-XW5000



About This Manual

This Setup Guide explains the installation and basic operations for projecting pictures. Before operating the unit, please read this manual thoroughly and retain it for future reference. Refer to "About Indicators" as necessary. For details on the operations, refer to the Help Guide (Web operating instructions).

Step 1

PreparingPage 9

Step 2

Installing the Unit Page 10

Step 3

Connecting the Unit Page 12

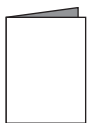
Step 4

Projecting..... Page 13

About Indicators.....Page 14

Dimensions.....Page 15

Manuals supplied



Setup Guide (this document)

Explains the installation and basic operations for projecting pictures.



Help Guide (Web operating instructions)

Explains the features of the unit and how to use in detail. You can view the Help Guide on a smartphone or computer.

<https://rd1.sony.net/help/vpl/xw5000/en/>



WARNING

To reduce the risk of fire or electric shock, do not expose this apparatus to rain or moisture. To avoid electrical shock, do not open the cabinet. Refer servicing to qualified personnel only.

WARNING

When installing the unit, incorporate a readily accessible disconnect device in the fixed wiring, or connect the power plug to an easily accessible socket-outlet near the unit. If a fault should occur during operation of the unit, operate the disconnect device to switch the power supply off, or disconnect the power plug.

CAUTION

For safety, do not connect the connector for peripheral device wiring that might have excessive voltage to the following port:

- LAN

WARNING

1. Use the approved Power Cord (2-core mains lead) / Appliance Connector / Plug that conforms to the safety regulations of each country/region if applicable.
2. Use the Power Cord (2-core mains lead) / Appliance Connector / Plug conforming to the proper ratings (Voltage, Ampere).

If you have questions on the use of the above Power Cord / Appliance Connector / Plug, please consult a qualified service personnel.

IMPORTANT

The nameplate is located in the following location on the unit.

- Side

CAUTION

- Danger of explosion if battery is incorrectly replaced. Replace only with the same or equivalent type recommended by the manufacturer.
- When you dispose of the battery or the product, you must obey the law in the corresponding area or country. Do not dispose of the battery or the product in a fire or a hot oven, or mechanically crush or cut the battery. It may explode or cause a fire. Do not subject the battery to extremely low air pressure that may result in an explosion or the leakage of flammable liquid or gas.

- Do not place the battery in a high temperature place, such as under direct sunlight or near fire. It may ignite, explode, or cause a fire. Do not immerse or wet the battery in water or seawater. This may cause an electric shock.

CAUTION

The following size and number of batteries are required for the remote control.

- Size: AA (R6)
 - Number of battery(ies): Two pieces
- To avoid risk of explosion, use only the following type of battery.
- Manganese batteries



This symbol is intended to alert the user to the presence of important operating and maintenance (servicing) instructions in the literature accompanying the appliance.

For the customers in the U.S.A.

This equipment has been tested and found to comply with the limits for a Class B digital device, pursuant to part 15 of the FCC Rules. These limits are designed to provide reasonable protection against harmful interference in a residential installation. This equipment generates, uses and can radiate radio frequency energy and, if not installed and used in accordance with the instructions, may cause harmful interference to radio communications. However, there is no guarantee that interference will not occur in a particular installation. If this equipment does cause harmful interference to radio or television reception, which can be determined by turning the equipment off and on, the user is encouraged to try to correct the interference by one or more of the following measures:

- Reorient or relocate the receiving antenna.
- Increase the separation between the equipment and receiver.
- Connect the equipment into an outlet on a circuit different from that to which the receiver is connected.
- Consult the dealer or an experienced radio/TV technician for help.

You are cautioned that any changes or modifications not expressly approved in this manual could void your authority to operate this equipment.

All interface cables used to connect peripherals must be shielded in order to comply with the limits

for a digital device pursuant to Subpart B of part 15 of FCC Rules.

If you have any questions about this product, you may call; Sony Customer Information Service Center 1-800-222-7669 or <http://www.sony.com/>

Supplier's Declaration of Conformity

Trade Name : SONY
 Model : VPL-XW5000
 Responsible party : Sony Electronics Inc.
 Address : 16535 Via Esprillo, San Diego, CA 92127 U.S.A.
 Telephone Number : 858-942-2230

This device complies with part 15 of the FCC Rules. Operation is subject to the following two conditions: (1) This device may not cause harmful interference, and (2) this device must accept any interference received, including interference that may cause undesired operation.

For the customers in Canada

CAN ICES-3 (B)/NMB-3(B)

For the customers in the U.S.A.

CAUTION

Use of controls or adjustments or performance of procedures other than those specified herein may result in hazardous radiation exposure.

CAUTION

Do not look into the lens while in use.

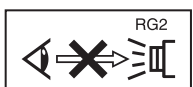
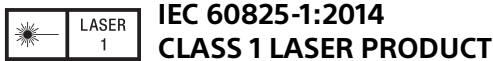
CAUTION

Do not allow children to operate this product without supervision.

CAUTION

The use of optical instruments with this product will increase eye hazard.

For the customers in other countries/regions



As with any bright light source, do not stare into the beam, RG2 IEC 62471-5:2015.

WARNING: Do not look into the lens while in use.

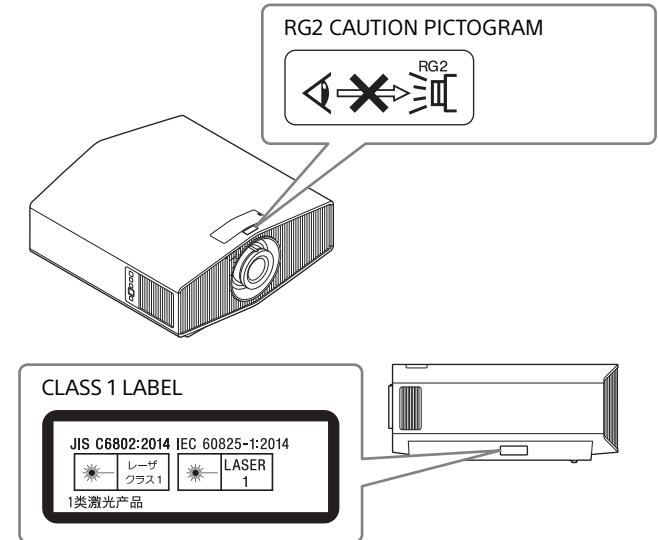
Caution

Use of controls or adjustments or performance of procedures other than those specified herein may result in hazardous radiation exposure.

Caution

The use of optical instruments with this product will increase eye hazard.

Location information of the labels

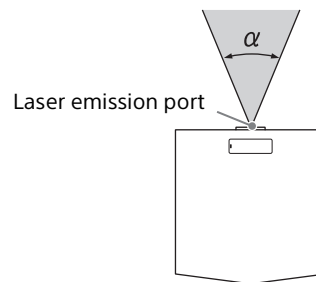


Light source specifications

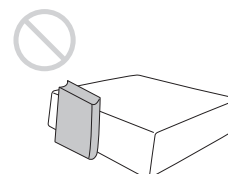
4.8 W laser diodes × 14
 Wavelength: 450 - 460 nm

Beam divergence angle from lens of this unit

Zoom maximum: $\alpha = 39.9^\circ$
 Zoom minimum: $\alpha = 25.5^\circ$



Do not place any object in front of the lens that may block the light during projection. Heat from the light may damage the object.



For the customers in the U.S.A.

SONY LIMITED WARRANTY - Please visit <http://www.sony.com/psa/warranty> for important information and complete terms and conditions of Sony's limited warranty applicable to this product.

For the customers in Canada

SONY LIMITED WARRANTY - Please visit <http://www.sonybiz.ca/pro/lang/en/ca/article/resources-warranty> for important information and complete terms and conditions of Sony's limited warranty applicable to this product.

For the customers in Europe

Sony Professional Solutions Europe - Standard Warranty and Exceptions on Standard Warranty. Please visit <https://pro.sony/support-services/primesupport/support-professional-solutions-europe-standard-product-warranty> for important information and complete terms and conditions.

For the customers in Korea

SONY LIMITED WARRANTY - Please visit <http://bpeng.sony.co.kr/handler/BPAS-Start> for important information and complete terms and conditions of Sony's limited warranty applicable to this product.

Precautions

On safety

- Check that the operating voltage of your unit is identical with the voltage of your local power supply.
- Should any liquid or solid object fall into the cabinet, unplug the unit and have it checked by qualified personnel before operating it further.
- Unplug the unit from the wall outlet if it is not to be used for several days.
- To disconnect the cord, pull it out by the plug. Never pull the cord itself.
- The wall outlet should be near the unit and easily accessible.
- The unit is not disconnected to the AC power source (mains) as long as it is connected to the wall outlet, even if the unit itself has been turned off.
- Do not look into the lens while in use.
- Do not place your hand or objects near the ventilation holes. The air coming out is hot.

On preventing internal heat build-up

After you turn off the power with the I/⏻ (On/Standby) button, do not disconnect the unit from the wall outlet while the cooling fan is still running.

Caution

This unit is equipped with ventilation holes (intake/exhaust). Do not block or place anything near these holes, or internal heat build-up may occur, causing picture degradation or damage to the unit.

On repacking

Save the original shipping carton and packing material; they will come in handy if you ever have to ship your unit. For maximum protection, repack your unit as it was originally packed at the factory.

On inspection of light source related parts

Since the unit uses a laser, when adjusting or inspecting the light source related parts, particular attention and a safe environment are necessary. Be sure to consult with qualified Sony personnel (charged).

Note on leaving unused for long periods

If the unit is not used for a long period of time, malfunction or a drop in performance can occur. To avoid this, periodically turn on the power and operate the unit.

On LCD Projector

The LCD projector is manufactured using high-precision technology. You may, however, see tiny black points and/or bright points (red, blue, or green) that continuously appear on the LCD projector. This is a normal result of the manufacturing process and does not indicate a malfunction.

Also, when you use multiple LCD projectors to project onto a screen, even if they are of the same model, the color reproduction among projectors may vary, since color balance may be set differently from one projector to the next.

On condensation

If the room temperature where the projector is installed changes rapidly, or if the projector is moved suddenly from a cold to a warm place, condensation in the projector may occur. As the condensation may cause malfunction, be careful in adjusting temperature settings of the air conditioner. If condensation occurs, leave the projector turned on for about two hours before use.

Notes on security

- SONY WILL NOT BE LIABLE FOR DAMAGES OF ANY KIND RESULTING FROM A FAILURE TO IMPLEMENT PROPER SECURITY MEASURES ON TRANSMISSION DEVICES, UNAVOIDABLE DATA LEAKS RESULTING FROM TRANSMISSION SPECIFICATIONS, OR SECURITY PROBLEMS OF ANY KIND.
- Depending on the operating environment, unauthorized third parties on the network may be able to access the unit. When connecting the unit to the network, be sure to confirm that the network is protected securely.
- From a safety standpoint, when using the unit connected with the network, it is strongly recommended to access the Control window via a Web browser and change the access limitation settings from the factory preset values. Also, it is recommended that you set a password with a sufficiently long character string that is hard to guess by others, and that you store it safely.

- Do not browse any other website in the Web browser while making settings or after making settings. Since the login status remains in the Web browser, close the Web browser when you complete the settings to prevent unauthorized third parties from using the unit or harmful programs from running.
- When connecting this product to a network, connect via a system that provides a protection function, such as a router or firewall. If connected without such protection, security issues may occur.

Do not place this product close to medical devices

This product (including accessories) has magnet(s) which may interfere with pacemakers, programmable shunt valves for hydrocephalus treatment, or other medical devices. Do not place this product close to persons who use such medical devices. Consult your doctor before using this product if you use any such medical device.

SONY WILL NOT BE LIABLE FOR DAMAGES OF ANY KIND RESULTING FROM THE USE OF THIS UNIT FOR PURPOSES OTHER THAN GENERAL HOME USE, EITHER DURING THE WARRANTY PERIOD OR AFTER EXPIRATION OF THE WARRANTY.
--

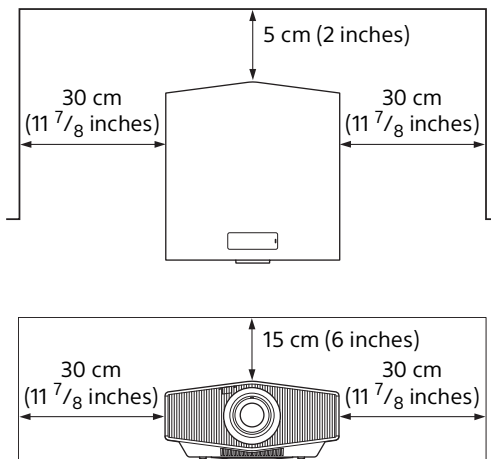
Notes on Installation and Usage

Unsuitable installation

Do not place the unit in the following situations, which may cause malfunction or damage to the unit.

Near walls

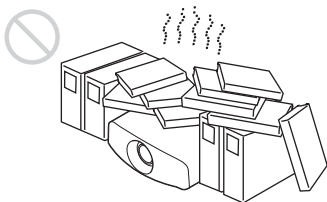
To maintain the performance and reliability of the unit, leave space between walls and the unit as illustrated.



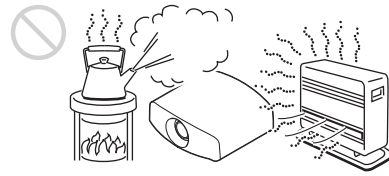
Note that the wall on the ventilation holes side may become hot. Air from air conditioners or the ventilation holes of this unit or other devices, may cause oscillation on the screen. Be sure not to install this unit in the area where the air from air conditioners or the ventilation holes of these devices reach to the front side of this unit.

Poorly ventilated location

Leave space of more than 30 cm (11 7/8 inches) around the unit.

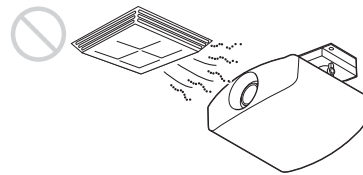


Hot and humid



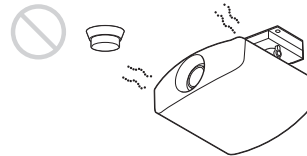
Locations subject to direct cool or warm air from an air-conditioner

Installing the unit in such a location may cause a malfunction of the unit due to moisture condensation or rise in temperature.

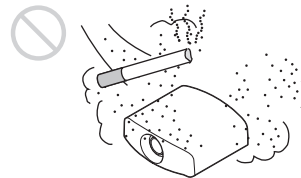


Near a heat or smoke sensor

Malfunction of the sensor may occur.



Very dusty and extremely smoky locations



Unsuitable Conditions

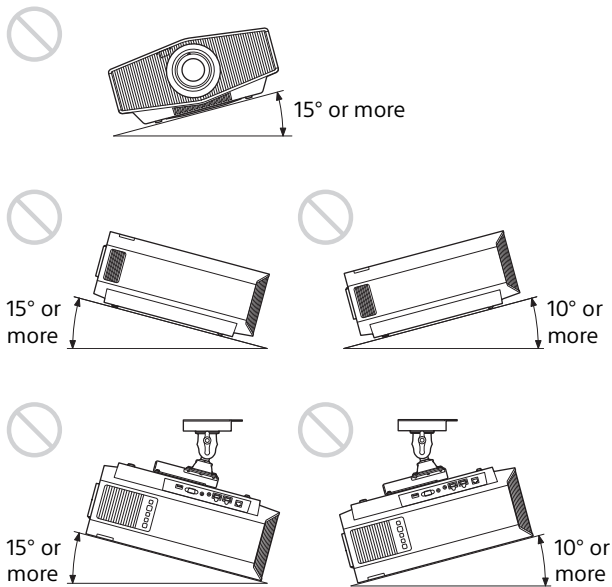
Do not do any of the following while using the unit.

Tilting front/rear and left/right


Avoid using the unit tilted at an angle, as shown in the following illustrations.

Do not install the unit anywhere other than on a level surface or on the ceiling. Installing the unit in such a location may result in uneven color uniformity.

If the unit is tilted up or down, the image on the screen may be trapezoidal. Position the unit so that the lens is parallel to the screen.



When installing the unit at high altitudes

When using the unit in a location at an altitude of 1,000 m (approx. 3,280 feet) or higher, appropriately set "High Altitude Mode" in the Setup  menu. Failing to do so could have adverse effects, such as reducing the reliability of certain components.

Safety precautions for installing the unit on a ceiling

- Never mount the projector on the ceiling or move it by yourself. Be sure to consult with qualified Sony personnel (charged).
- When installing the unit on a ceiling, be sure to use a safety wire, etc., to prevent the unit from falling. Entrust the installation to an experienced contractor or installer.

For dealers

Be sure to secure the cabinet cover firmly when installing to the ceiling firmly.

License Notice

Refer to "Notice on the Software" in the Help Guide and read the contents of the license.

Step 1

Preparing

Checking the Supplied Accessories

Check the carton to make sure it contains the following items:

- Remote control RM-PJ28 (1)
- Size AA (R6) batteries (2)
- Lens cap (1)

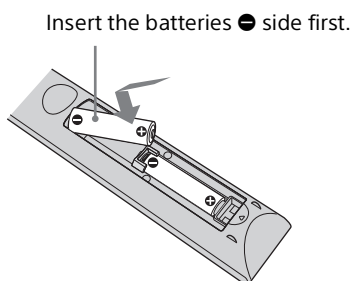
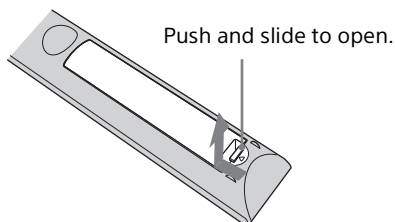
When you purchase the projector, a lens cap is on the lens.

- AC power cord (1)
- Setup Guide (this manual) (1)

Removing the lens cap

Remove the lens cap before you use the projector.

Inserting the Batteries into the Remote Control



Caution when handling the remote control

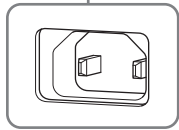
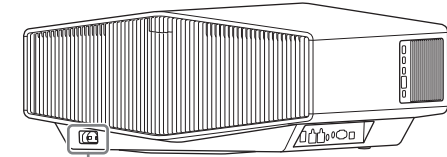
- Handle the remote control with care. Do not drop it, and do not step on or spill liquids on it.
- Do not place the remote control in a location near a heat source, a place subject to direct sunlight, or a damp room.

Step 2

Installing the Unit

- 1 Position the unit so that the lens is parallel to the screen.
- 2 After connecting the AC power cord to the unit, plug the AC power cord into a wall outlet.

Rear of the unit



Front of the unit

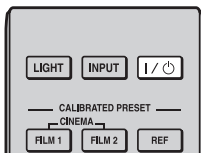


Lights in red.

Note

After connecting the AC power cord to the unit, the ON/STANDBY indicator may blink in orange. You may not be able to control the unit while the indicator is blinking, but this is not a malfunction. Wait until it stops blinking and remains lit in red.

- 3 Press the I/⏻ (On/Standby) button to turn on the unit.

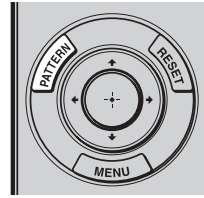


Front of the unit



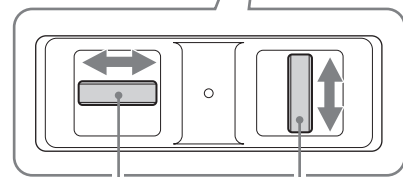
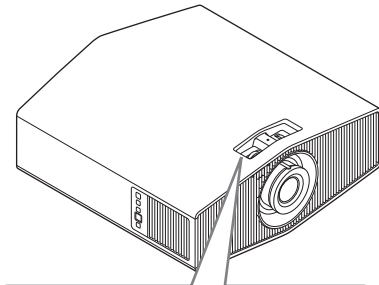
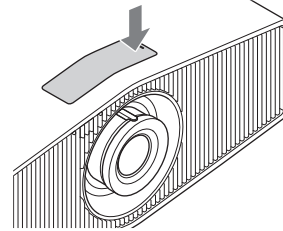
The ON/STANDBY indicator flashes in green, then it lights in green.

- 4 Press the LENS button on the control panel or the PATTERN button on the remote control to display a test signal for performing adjustments.



- 1 Open the lid on the top of the unit, then move both lens shift dials to adjust the picture position.

Push to open



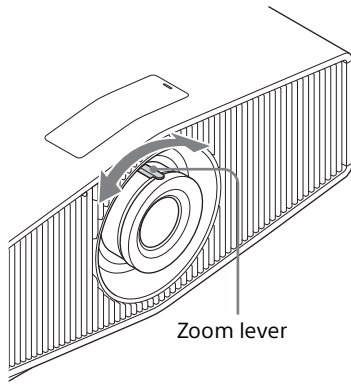
To adjust the horizontal position

To adjust the vertical position

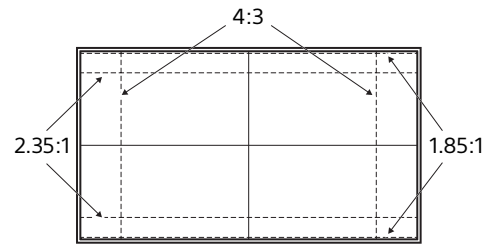
Notes

- After adjusting the picture position, attach the lid to its original position.
- When installing the unit on the ceiling and opening the lid of the shift dial, the lid may fall. Be careful when opening and closing the lid, and operating the dial.

- 2 Adjust the picture size using the zoom lever.

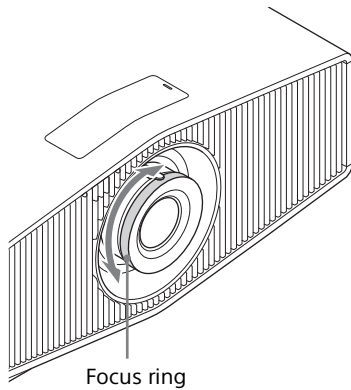


Lens adjustment window (test pattern)



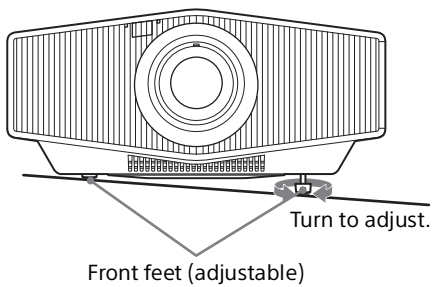
The dashed lines show the angle of view of each aspect ratio.

- 3 Adjust the focus using the focus ring.



To adjust the tilt of the installation surface

If the unit is installed on an uneven surface, use the front feet (adjustable) to keep the unit level.



Notes

- Note that if the unit is tilted up or down, the projected image will be distorted in a trapezoidal shape.
- Be careful not to pinch your fingers when rotating the front feet (adjustable).

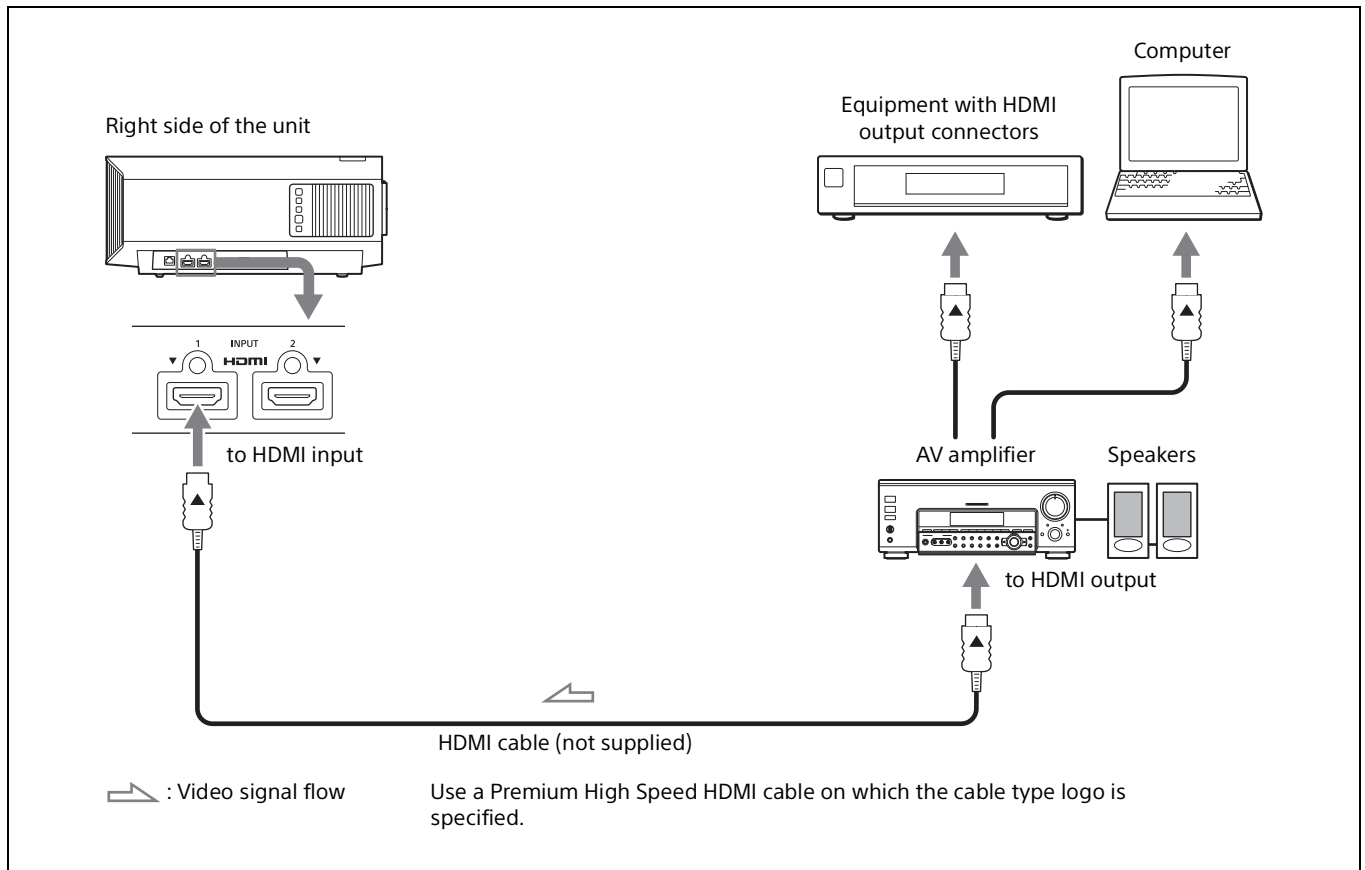
For more information, refer to "Installation and Connections" in the Help Guide.

Step 3

Connecting the Unit

When making connections, be sure to do the following:

- Turn off all devices before making any connections.
- Use the proper cables for each connection.
- Insert the cable plugs firmly; Loose connections may reduce performance of picture signals or cause a malfunction. When unplugging a cable, be sure to grip the plug, not the cable itself.
- For more information, refer also to the instruction manual of the device to be connected.



When you monitor and control the projector via the network, access the Setup page of the projector (refer to "Using Network Features" in the Help Guide) via a Web browser and enable the desired control protocol.

For more information, refer to "Installation and Connections" in the Help Guide.

Step 4

Projecting

Projecting the Picture

- 1 Turn on both the unit and the device connected to the unit.
- 2 Press INPUT to display the input palette on the screen.
- 3 Select the device from which you want to display images.
Press INPUT repeatedly or press $\uparrow/\downarrow/\oplus$ (enter) to select the device from which to project.

Turning Off the Power

- 1 Press the I/⏻ (On/Standby) button.
The message "POWER OFF?" appears.
- 2 Press the I/⏻ (On/Standby) button again before the message disappears.
The ON/STANDBY indicator flashes in green and the fan continues to run to reduce the internal heat.

The fan stops and the ON/STANDBY indicator changes from flashing green to remaining red.

The power is turned off completely, and you can disconnect the AC power cord.

Note

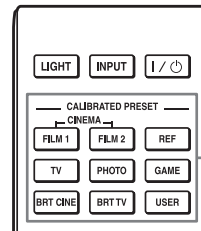
Never disconnect the AC power cord while the indicator is flashing.

Tip


You can turn off the unit by holding the I/⏻ (On/Standby) button for about 1 second, instead of performing the above steps.

Selecting the Picture Viewing Mode

Press one of the CALIBRATED PRESET buttons.



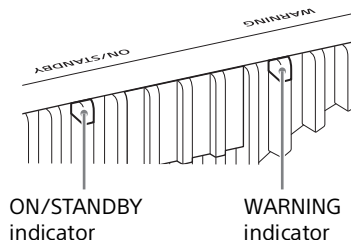
CALIBRATED PRESET buttons

Setting items	Description
CINEMA FILM 1 (Cinema Film 1)	Image quality suited for reproducing the wide dynamic and clear images typical of master positive film.
CINEMA FILM 2 (Cinema Film 2)	Image quality suited for reproducing the rich tone and color typical of a movie theater, based on "Cinema Film 1."
REF (Reference)	Image quality suited for reproducing the original image quality faithfully, or to enjoy the image quality without any adjustment.
TV (TV)	Image quality suited for watching TV programs, sports, concerts, and other video images.
PHOTO (Photo)	Image quality suited for viewing still images taken with a digital camera and other devices.
GAME (Game)	Image quality suited for gaming, with well-modulated colors and fast response.
BRT CINE (Bright Cinema)	Image quality suited for watching movies in a bright room.
BRT TV (Bright TV)	Image quality suited for watching TV programs, sports, concerts, and other video images in a bright room.
USER (User)	You can set and adjust the image quality to suit your taste, then you can save the setting. The default setting is the same as "Reference."
IMAX Enhanced	Image quality suited for watching IMAX Enhanced contents. Press the MENU button and select from "Calib. Preset" in the Picture  menu.

For more information, refer to "Projecting" in the Help Guide.

About Indicators

The ON/STANDBY or WARNING indicator lights up or flashes if there is any trouble with your projector. If there is any problem or an error message appears on the screen, refer to "Error Handling" in the Help Guide.



Flashing/Lighting indicators	The number of flashes	Cause and Remedy
<p>(Lights in red) (Flashes in red)</p>	Three times	The unit does not light properly due to an abnormality of the light source and light source power. Turn off, then turn on the power after a while. If the symptom persists, consult with qualified Sony personnel.
<p>(Flashes in red) (Flashes in red) Both indicators flash</p>	Twice	The internal temperature is unusually high. Check to ensure that nothing is blocking the ventilation holes and the unit is not being used at high altitudes.
	Three times	The fan is broken. Consult with qualified Sony personnel.

Note

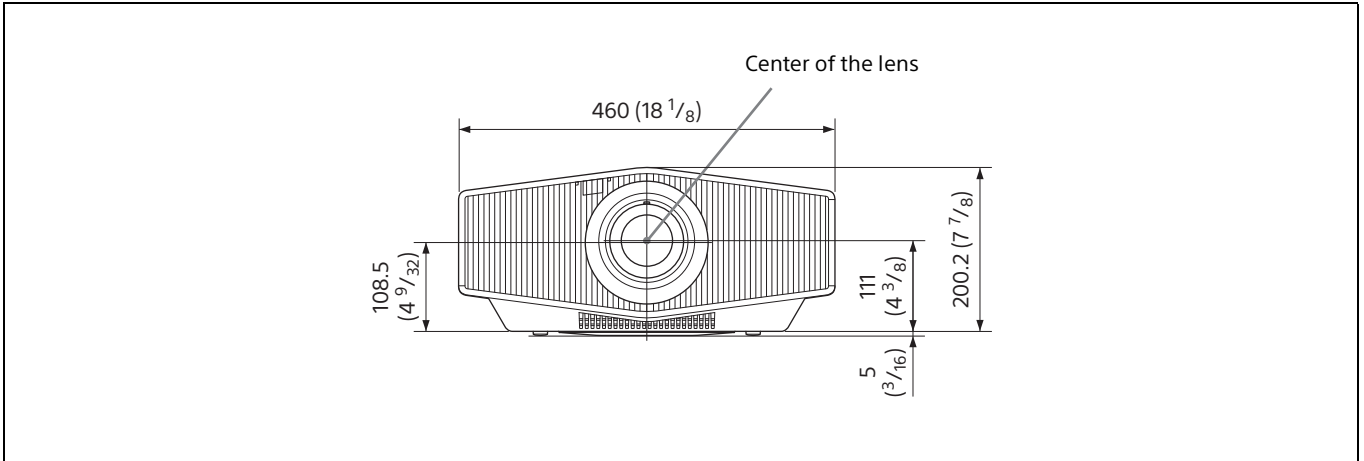
If the symptom persists even after carrying out the above methods, consult with qualified Sony personnel.
If the indicator starts flashing in a way of other than the above, turn off, and then turn on the power with the I/⏻ (On/Standby) button on the remote control or control panel of the unit.
If the symptom is shown again, consult with qualified Sony personnel.

If there is any problem or an error message appears on the screen, refer to "Error Handling" in the Help Guide.

Dimensions

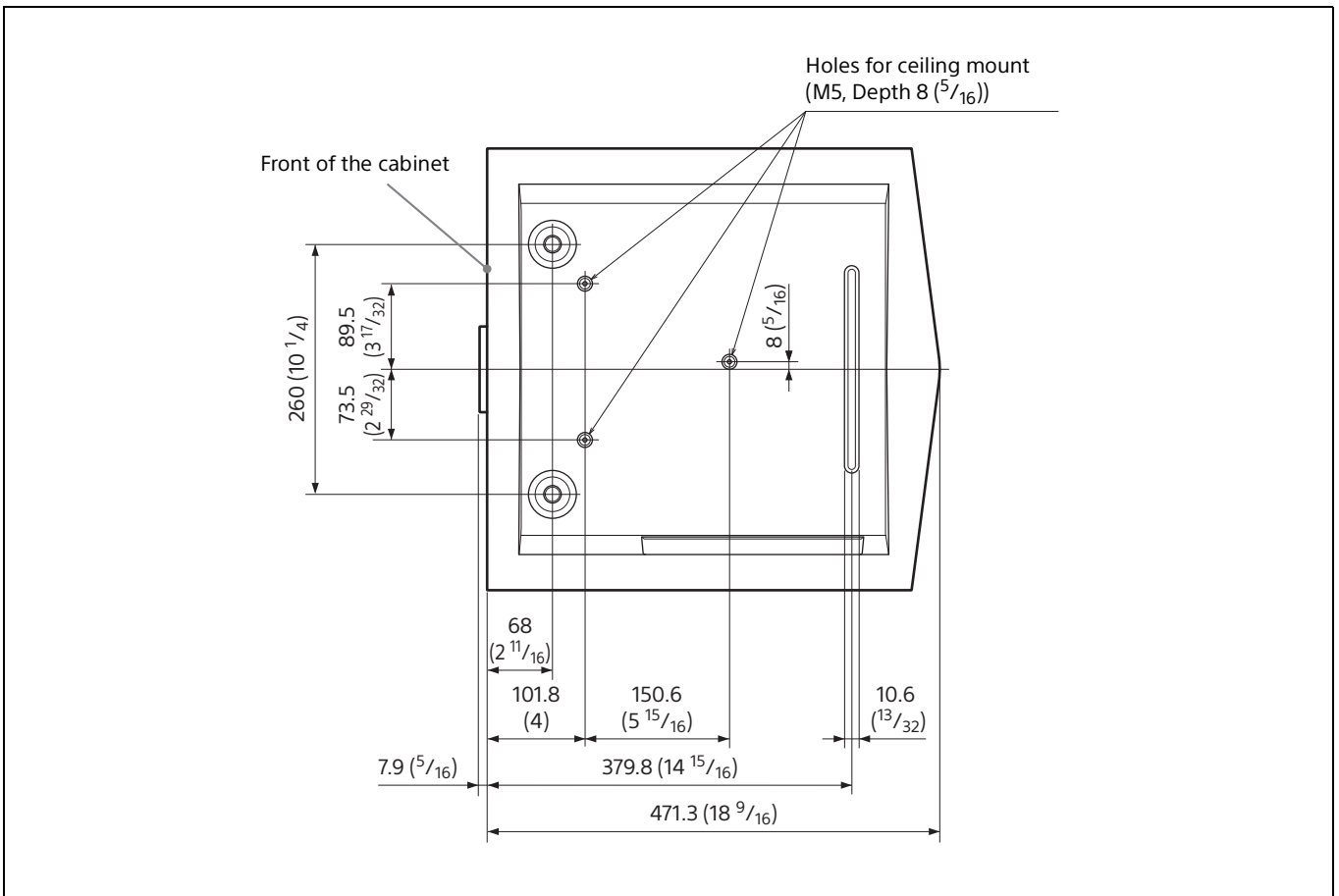
Front

Unit: mm (inches)



Bottom

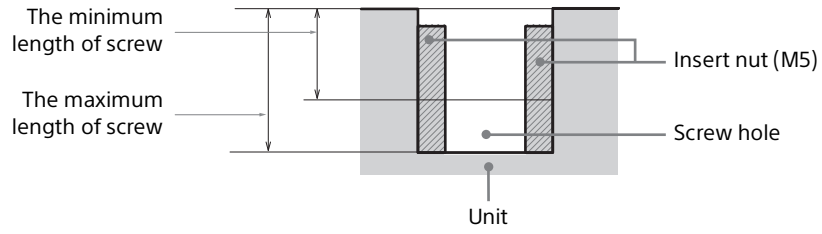
Unit: mm (inches)



Note

Holes for the ceiling mount

Use the screws with a length of 6.4 mm ($1/4$ inches, minimum) to 8.0 mm ($5/16$ inches, maximum) for the ceiling mount. Recommended tightening torque (tension when turning a screw towards the direction of rotation): 1.4 ± 0.2 N-m



À propos de ce manuel

Le Manuel de configuration décrit l'installation et les procédures de base de projection des images. Avant d'utiliser l'appareil, veuillez lire attentivement ce manuel et le conserver pour future référence. Reportez-vous à la section « À propos des indicateurs », le cas échéant. Pour plus d'informations sur l'utilisation, reportez-vous au Guide d'aide (Mode d'emploi en ligne).

Étape 1

Préparation Page 25

Étape 2

Installation de l'appareil Page 26

Étape 3

Raccordement de l'appareil Page 28

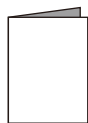
Étape 4

Projection Page 29

À propos des indicateurs Page 31

Dimensions Page 32

Manuels fournis



Manuel de configuration (ce document)

Décrit l'installation et les procédures de base de projection des images.



Guide d'aide (Mode d'emploi en ligne)

Décrit les fonctionnalités de l'appareil et leur utilisation détaillée. Vous pouvez afficher le Guide d'aide sur un smartphone ou un ordinateur.

<https://rd1.sony.net/help/vpl/xw5000/fr/>



AVERTISSEMENT

Afin de réduire les risques d'incendie ou d'électrocution, ne pas exposer cet appareil à la pluie ou à l'humidité.

Afin d'écartier tout risque d'électrocution, garder le coffret fermé. Ne confier l'entretien de l'appareil qu'à un personnel qualifié.

AVERTISSEMENT

Lors de l'installation de l'appareil, incorporer un dispositif de coupure dans le câblage fixe ou brancher la fiche d'alimentation dans une prise murale facilement accessible proche de l'appareil. En cas de problème lors du fonctionnement de l'appareil, enclencher le dispositif de coupure d'alimentation ou débrancher la fiche d'alimentation.

ATTENTION

Par mesure de sécurité, ne raccordez pas le connecteur pour le câblage de périphériques pouvant avoir une tension excessive au port suivant :

- LAN

AVERTISSEMENT

1. Utilisez un cordon d'alimentation (câble secteur à 2 fils)/fiche femelle/fiche mâle conformes à la réglementation de sécurité locale/régionale applicable.
2. Utilisez un cordon d'alimentation (câble secteur à 2 fils)/fiche femelle/fiche mâle avec des caractéristiques nominales (tension, ampérage) appropriées.

Pour toute question sur l'utilisation du cordon d'alimentation/fiche femelle/fiche mâle ci-dessus, consultez un technicien du service après-vente qualifié.

IMPORTANT

La plaque signalétique se situe à l'endroit suivant sur l'appareil.

- Côté

ATTENTION

- Il y a danger d'explosion s'il y a remplacement incorrect de la batterie. Remplacer uniquement avec une batterie du même type ou d'un type équivalent recommandé par le constructeur.
- Lors de la mise au rebut de la batterie ou du produit, vous devez respecter la loi de la région ou du pays concerné. Ne mettez pas la batterie

ou le produit au rebut dans un feu ou un four chaud, ou n'écrasez pas mécaniquement la batterie et ne la coupez pas. Elle risque d'exploser ou de provoquer un incendie. Ne soumettez pas la batterie à une pression d'air extrêmement basse qui pourrait entraîner une explosion ou une fuite de liquide ou de gaz inflammable.

- Ne placez pas la batterie dans un endroit à température élevée, tel qu'à la lumière directe du soleil ou à proximité d'un feu. Elle risque de prendre feu, d'exploser ou de provoquer un incendie. Ne plongez pas et ne mouillez pas la batterie dans de l'eau douce ou de l'eau de mer. Cela risque de provoquer une électrocution.

ATTENTION

La taille et le nombre de piles suivants sont requis pour la télécommande.

- Taille : AA (R6)
 - Nombre de pile(s) : deux pièces
- Pour éviter tout risque d'explosion, utilisez uniquement le type de pile suivant.
- Piles au manganèse



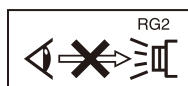
Le symbole avertit l'utilisateur de la présence d'importantes instructions concernant le fonctionnement et la maintenance (entretien) dans la documentation qui accompagne l'appareil.

Pour les clients au Canada

CAN ICES-3 (B)/NMB-3(B)



**IEC 60825-1:2014
PRODUIT LASER DE CLASSE 1**



Comme pour n'importe quelle source de lumière vive, ne regardez pas fixement le faisceau, RG2 IEC 62471-5:2015.

AVERTISSEMENT

Ne regardez pas dans l'objectif pendant son utilisation.

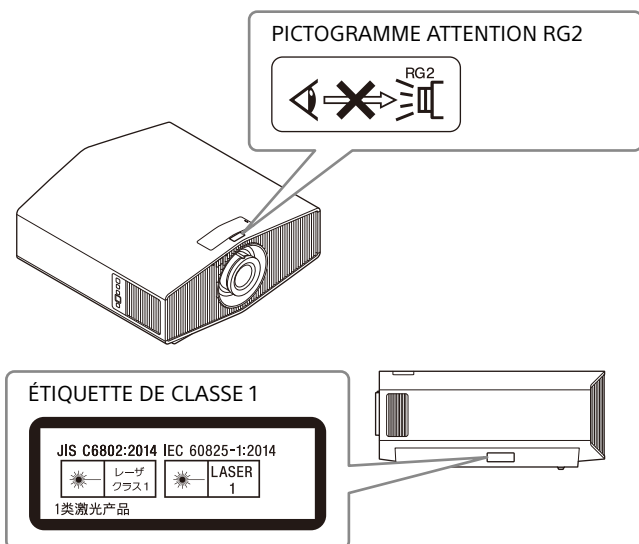
ATTENTION

L'emploi de commandes ou ajustements ou l'exécution de procédures autres que celles spécifiées ici peut provoquer une exposition dangereuse au rayonnement.

ATTENTION

L'emploi d'instruments optiques avec ce produit augmentera les risques pour les yeux.

Informations sur l'emplacement des étiquettes



Pour les clients au Canada

GARANTIE LIMITÉE DE SONY - Rendez-vous sur <http://www.sonybiz.ca/pro/lang/en/ca/article/resources-warranty> pour obtenir les informations importantes et l'ensemble des termes et conditions de la garantie limitée de Sony applicable à ce produit.

Spécifications de la source lumineuse

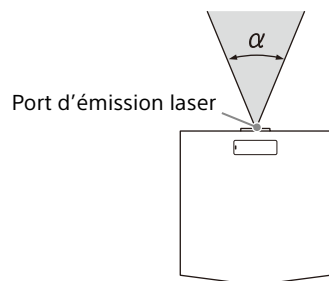
Diodes laser 4,8 W × 14

Longueur d'onde : 450 - 460 nm

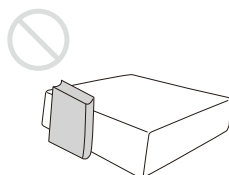
Angle de divergence du faisceau par rapport à l'objectif de cet appareil

Zoom maximum : $\alpha = 39,9^\circ$

Zoom minimum : $\alpha = 25,5^\circ$



Ne placez aucun objet devant l'objectif pour éviter de bloquer la lumière durant la projection. La chaleur provenant de la lumière risque d'endommager l'objet.



Précautions

À propos de la sécurité

- Assurez-vous que la tension de service de votre appareil est identique à la tension de votre source d'alimentation locale.
- Si du liquide ou un objet quelconque venait à pénétrer dans le boîtier, débranchez l'appareil et faites-le vérifier par un technicien qualifié avant la remise en service.
- Débranchez l'appareil de la prise murale en cas d'inutilisation pendant plusieurs jours.
- Pour débrancher le cordon, tirez-le par la fiche. Ne tirez jamais directement sur le cordon.
- La prise murale doit se trouver à proximité de l'appareil et être facile d'accès.
- L'appareil n'est pas débranché de la source d'alimentation secteur tant qu'il reste branché à la prise murale, même s'il a été mis hors tension.
- Ne regardez pas dans l'objectif pendant son utilisation.
- Ne placez pas la main ou des objets à proximité des orifices de ventilation. L'air expulsé est brûlant.

À propos de la prévention de l'accumulation de chaleur interne

Après avoir mis l'appareil hors tension au moyen du bouton I/⏻ (marche/veille), ne le débranchez pas de la prise murale tant que le ventilateur de refroidissement tourne.

Attention

Cet appareil est doté d'orifices de ventilation (prise/sortie d'air). N'obstruez pas ces orifices et ne placez rien à proximité, car cela risquerait de provoquer une surchauffe interne pouvant entraîner une altération de l'image ou un endommagement de l'appareil.

À propos du emballage

Conservez le carton d'emballage et le matériel d'emballage d'origine ; ils vous seront très utiles si vous devez un jour expédier l'appareil. Pour assurer une protection maximale, remballer l'appareil tel qu'il avait été emballé en usine.

À propos du contrôle des pièces de la source d'éclairage

Étant donné que l'appareil utilise un laser, une attention particulière et un environnement sûr

sont nécessaires lors du réglage ou du contrôle des pièces de la source d'éclairage. Veuillez à vous adresser à un technicien Sony agréé (service payant).

Remarque concernant la non-utilisation de l'appareil pendant de longues périodes

Si l'appareil n'est pas utilisé pendant une longue période, cela peut occasionner un dysfonctionnement ou une baisse des performances. Pour éviter cela, mettez régulièrement l'appareil sous tension et faites-le fonctionner.

À propos du projecteur LCD

Le projecteur LCD est fabriqué au moyen d'une technologie de haute précision. Il se peut toutefois que vous constatiez que de petits points noirs et/ou lumineux (rouges, bleus ou verts) apparaissent continuellement sur le projecteur LCD. Ceci est un résultat normal du processus de fabrication et n'est pas le signe d'un dysfonctionnement.

Si vous utilisez plusieurs projecteurs LCD pour projeter sur un écran, la reproduction des couleurs peut varier selon les projecteurs, même s'ils sont du même modèle. Ceci est dû au fait que l'équilibre des couleurs peut être réglé différemment sur les projecteurs.

Remarque concernant la condensation

Si la pièce dans laquelle le projecteur est installé subit de brusques changements de températures ou si vous déplacez le projecteur d'un endroit froid à un endroit chaud, de la condensation peut se former à l'intérieur du projecteur. Étant donné que la condensation peut provoquer un dysfonctionnement, réglez la température de votre climatiseur avec précaution. Si de la condensation se forme, laissez le projecteur allumé pendant deux heures avant de l'utiliser.

Remarques concernant la sécurité

- Sony ne peut être tenue responsable de tout dommage, de quelque nature que ce soit, résultant d'une incapacité à mettre en place des mesures de sécurité adaptées pour les dispositifs de transmission, de fuites de données inévitables dues aux spécifications de transmission ou de tout autre problème de sécurité.
- Selon l'environnement d'exploitation, il est possible que des tiers non autorisés sur le réseau puissent accéder à l'appareil. Avant de

connecter l'appareil au réseau, vérifiez que le réseau est bien protégé.

- Pour des raisons de sécurité, lors de l'utilisation de cet appareil connecté au réseau, il est fortement recommandé d'accéder à la fenêtre de commande via un navigateur Web et de modifier la limitation d'accès des valeurs d'usine préétablies.

Il est recommandé de définir un mot de passe avec une chaîne de caractères suffisamment longue, difficile à deviner par les autres, et de le stocker en toute sécurité.

- Ne consultez aucun autre site Web dans le navigateur Web pendant ou après la configuration. Étant donné que l'état de connexion est conservé dans le navigateur Web, fermez ce dernier lorsque la configuration est terminée pour empêcher tout tiers non autorisé d'utiliser l'appareil ou d'exécuter des programmes malveillants.
- Lorsque vous connectez ce produit à un réseau, connectez-le via un système fournissant une fonction de protection, tel qu'un routeur ou un pare-feu. Si vous vous connectez sans cette protection, des problèmes de sécurité pourraient survenir.

Ne placez pas ce produit près d'appareils médicaux

Ce produit (y compris les accessoires) comporte un ou des aimants qui peuvent perturber les stimulateurs cardiaques, les valves de dérivation programmables pour le traitement de l'hydrocéphalie ou d'autres appareils médicaux. Ne placez pas ce produit près de personnes utilisant ce type d'appareil médical. Consultez votre médecin avant d'utiliser ce produit si vous utilisez ce type d'appareil médical.

SONY NE PEUT ÊTRE TENUE RESPONSABLE DE TOUT DOMMAGE, DE QUELQUE NATURE QUE CE SOIT, RÉSULTANT DE L'UTILISATION DE CET APPAREIL À D'AUTRES FINS QU'UN USAGE DOMESTIQUE ORDINAIRE PENDANT LA PÉRIODE DE GARANTIE OU APRÈS L'EXPIRATION DE CELLE-CI.

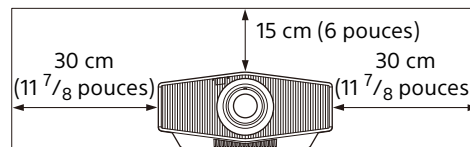
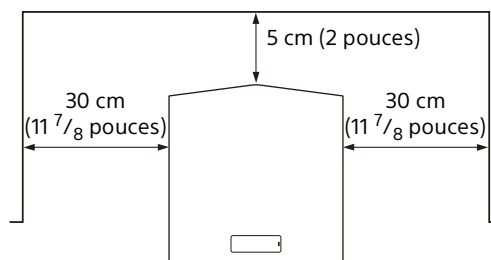
Remarques concernant l'installation et l'utilisation

Installation déconseillée

Ne placez pas l'appareil dans les positions suivantes, ce qui risquerait de provoquer un dysfonctionnement ou des dommages.

Murs proches

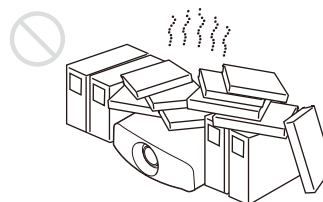
Afin de maintenir les performances et la fiabilité de l'appareil, laissez un dégagement entre les murs et l'appareil tel qu'illustré.



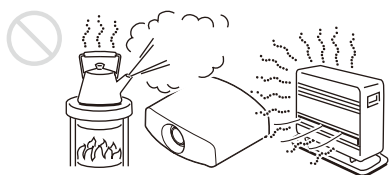
Remarquez que le mur situé du côté des orifices de ventilation peut devenir brûlant. Les flux d'air des climatiseurs ou des orifices de ventilation de cet appareil, ou d'autres, peuvent faire osciller l'écran. Veillez à ne pas installer cet appareil dans un endroit où sa face avant risque d'être soumise aux flux d'air des climatiseurs ou des orifices de ventilation de ces autres appareils.

Endroits mal aérés

Laissez un dégagement de plus de 30 cm (11 7/8 pouces) autour de l'appareil.

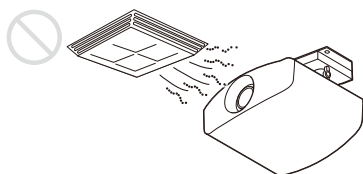


Endroits chauds et humides



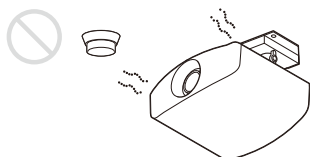
Endroits directement exposés au souffle froid ou chaud d'un climatiseur

L'installation de l'appareil dans de tels endroits pourrait provoquer un dysfonctionnement sous l'effet de la condensation d'humidité ou de l'élévation de température.

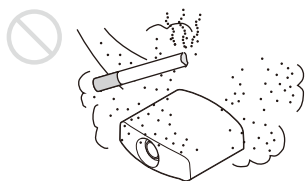


Proximité d'un détecteur de chaleur ou de fumée

Il pourrait en résulter un dysfonctionnement du capteur.



Endroits très poussiéreux ou enfumés



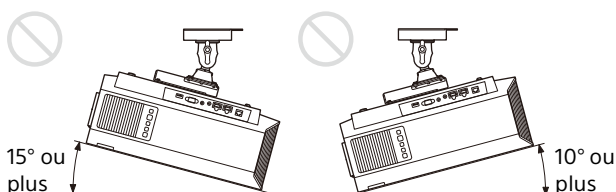
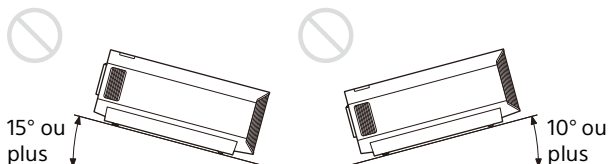
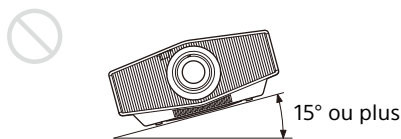
Conditions inappropriées

Évitez ce qui suit pendant l'utilisation de l'appareil.


Inclinaison vers l'avant/arrière et vers la gauche/droite

Évitez d'utiliser l'appareil s'il est incliné comme dans les illustrations suivantes. N'installez pas l'appareil sur une surface non plane ou au plafond. L'installation de l'appareil dans un tel emplacement peut générer des couleurs non uniformes.

Si l'appareil est incliné vers le haut ou le bas, l'image à l'écran peut-être trapézoïdale. Installez l'appareil de sorte que l'objectif soit parallèle à l'écran.



Lors de l'installation de l'appareil à haute altitude

Si l'appareil est utilisé à une altitude de 1 000 m (environ 3 280 pieds) ou plus, réglez de façon appropriée l'option « Mode haute altit. » dans le menu Réglage . Si cela n'est pas effectué alors que l'on utilise l'appareil à haute altitude, des effets négatifs peuvent s'ensuivre, tels qu'une baisse de fiabilité de certains composants.

Consignes de sécurité concernant l'installation de l'appareil au plafond

- Ne montez jamais le projecteur au plafond et ne le déplacez jamais par vos propres moyens. Veillez à vous adresser à un technicien Sony agréé (service payant).
- Pour installer l'appareil au plafond, veillez à utiliser un fil de sécurité, etc., pour empêcher la chute de l'appareil. Confiez l'installation à un prestataire ou à un installateur expérimenté.

Pour les revendeurs

Veillez à fixer fermement le couvercle du boîtier lors de l'installation au plafond.

Avis de licence

Reportez-vous à la section « Avis sur le logiciel » du Guide d'aide et lisez le contenu de la licence.

Vérification des accessoires fournis

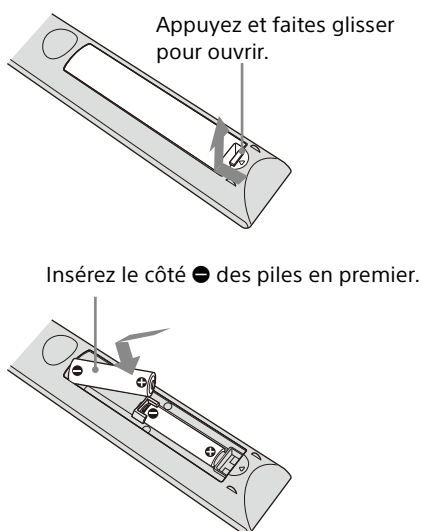
Vérifiez si le carton renferme bien tous les éléments suivants :

- Télécommande RM-PJ28 (1)
- Piles de format AA (R6) (2)
- Capuchon d'objectif (1)
Au moment de l'achat, un capuchon d'objectif recouvre l'objectif du projecteur.
- Cordon d'alimentation secteur (1)
- Manuel de configuration (ce manuel) (1)

Retrait du capuchon d'objectif

Retirez le capuchon d'objectif avant d'utiliser le projecteur.

Insertion des piles dans la télécommande



Précautions lors de la manipulation de la télécommande

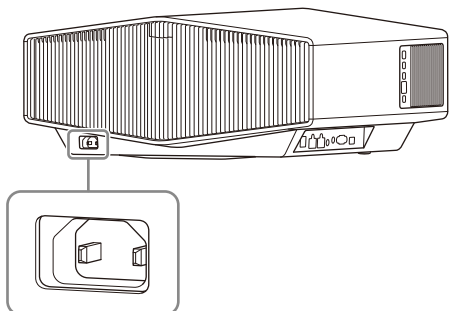
- Manipulez la télécommande avec précaution. Ne la laissez pas tomber, ne marchez pas dessus et ne renversez aucun liquide dessus.
- Ne placez pas la télécommande à proximité d'une source de chaleur, dans un endroit exposé aux rayons directs du soleil ou dans une pièce humide.

Étape 2

Installation de l'appareil

- 1 Positionnez l'appareil de façon à ce que l'objectif soit parallèle à l'écran.
- 2 Après avoir branché le cordon d'alimentation secteur à l'appareil, branchez le cordon d'alimentation secteur à une prise murale.

Arrière de l'appareil



Avant de l'appareil



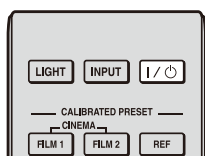
S'allume en rouge.

Remarque

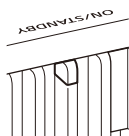
Une fois le cordon d'alimentation secteur raccordé à l'appareil, l'indicateur ON/STANDBY peut clignoter en orange.

Vous ne pourrez peut-être pas commander l'appareil pendant que l'indicateur clignote, mais ce n'est pas un dysfonctionnement. Attendez que l'indicateur cesse de clignoter et devienne rouge fixe.

- 3 Appuyez sur le bouton I/⏻ (Marche/Veille) pour mettre l'appareil sous tension.

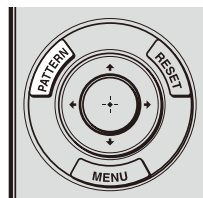


Avant de l'appareil



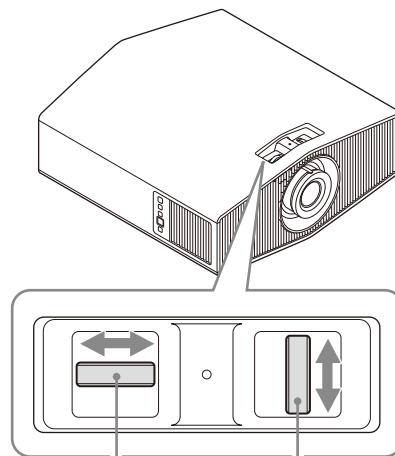
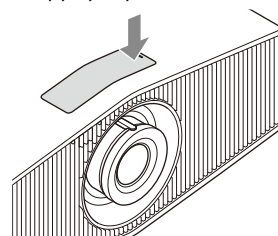
L'indicateur ON/STANDBY clignote en vert, puis s'allume en vert.

- 4 Appuyez sur le bouton LENS du panneau de commande ou sur le bouton PATTERN de la télécommande pour afficher un signal de test en vue de procéder aux réglages.



- 1 Ouvrez le couvercle sur le dessus de l'appareil, puis déplacez les deux molettes de déplacement d'objectif pour régler la position de l'image.

Appuyez pour ouvrir



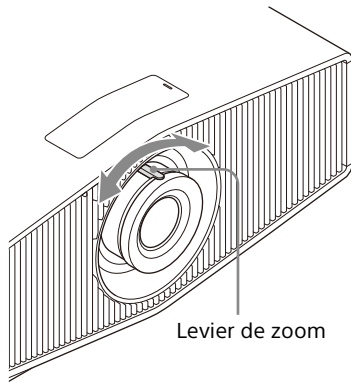
Pour régler la position horizontale

Pour régler la position verticale

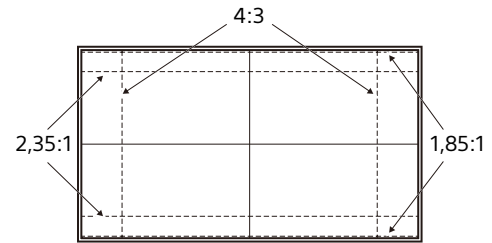
Remarques

- Après avoir réglé la position de l'image, remettez le couvercle dans sa position d'origine.
- Lors de l'installation de l'appareil au plafond et de l'ouverture du couvercle de la molette de déplacement, le couvercle peut tomber. Prudence lors de l'ouverture et de la fermeture du couvercle et de l'utilisation de la molette.

- 2 Réglez la taille de l'image à l'aide du levier de zoom.

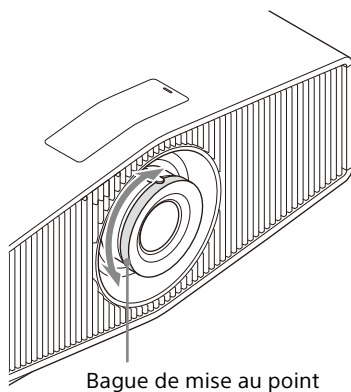


Fenêtre de réglage de l'objectif (mire d'essai)



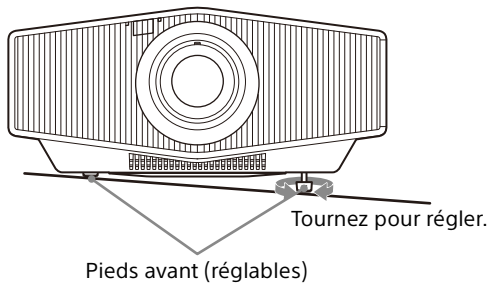
Les lignes pointillées indiquent l'angle de vue de chaque rapport de format.

- 3 Réglez la mise au point à l'aide de la bague de mise au point.



Pour régler l'inclinaison par rapport à la surface d'installation

Si vous installez l'appareil sur une surface inégale, utilisez les pieds avant (réglables) pour le maintenir à l'horizontale.



Remarques

- Notez que si l'appareil est incliné vers le haut ou le bas, l'image projetée sera déformée en une forme trapézoïdale.
- Veillez à ne pas vous pincer les doigts lors de la rotation des pieds avant (réglables).

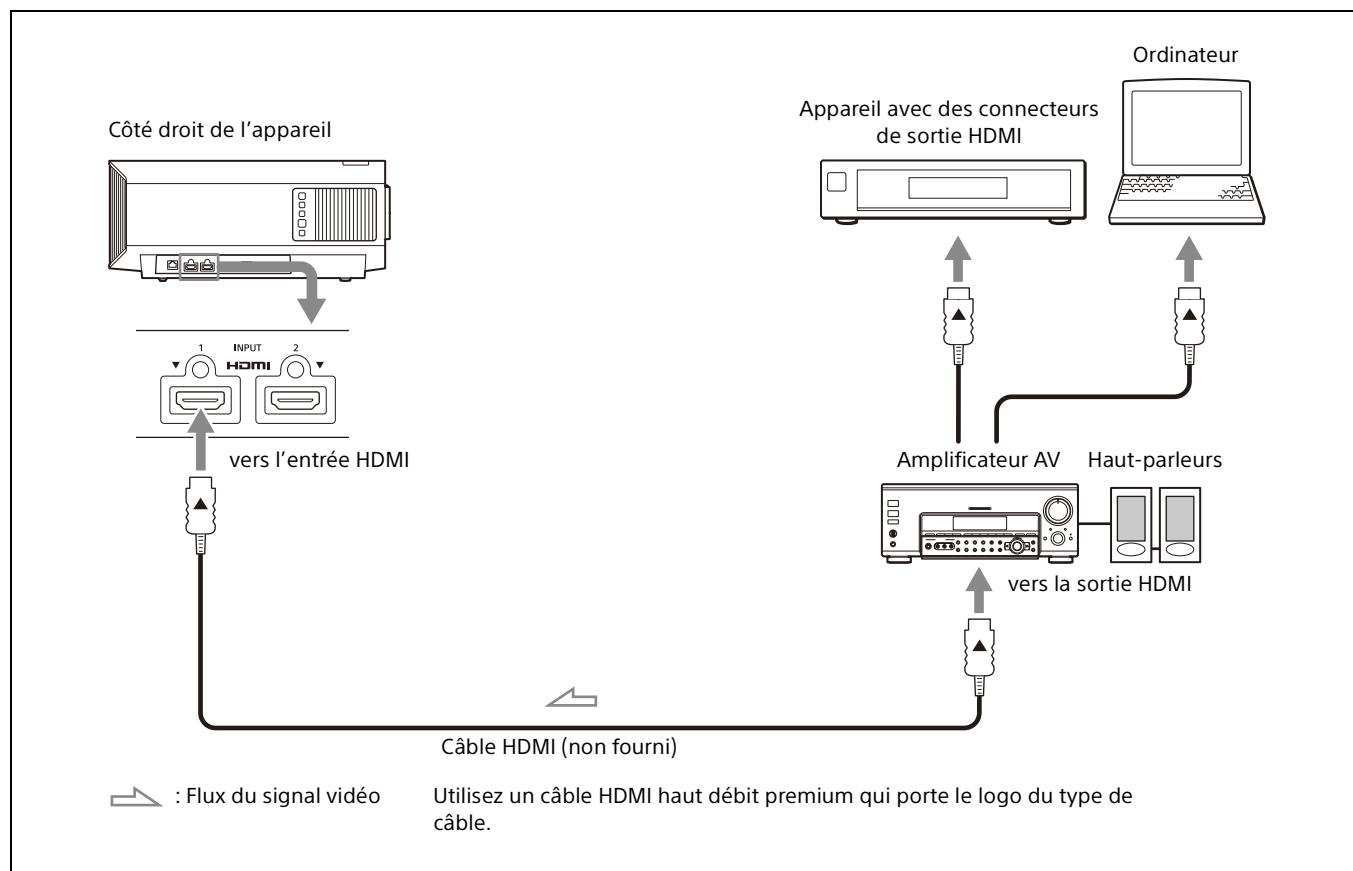
Pour plus d'informations reportez-vous à la section « Installation et raccordements » du Guide d'aide.

Étape 3

Raccordement de l'appareil

Lors de l'exécution des raccordements, vous devez procéder comme suit :


- Mettez tous les appareils hors tension avant tout raccordement.
- Utilisez les câbles appropriés pour chaque raccordement.
- Insérez les fiches de câble à fond ; de mauvais contacts peuvent réduire les performances des signaux d'image ou entraîner des dysfonctionnements. Débranchez un câble en le tenant par sa fiche ; ne tirez pas sur le câble lui-même.
- Pour plus d'informations, consultez également le mode d'emploi du périphérique à raccorder.



Pour surveiller et commander le projecteur via le réseau, accédez à la page Configuration du projecteur (reportez-vous à la section « Utilisation des fonctionnalités réseau » du Guide d'aide) via un navigateur Web et activez le protocole de contrôle souhaité.

Pour plus d'informations reportez-vous à la section « Installation et raccordements » du Guide d'aide.

Projection de l'image

- 1 Mettez sous tension cet appareil et le périphérique qui y est raccordé.
- 2 Appuyez sur INPUT pour afficher la palette d'entrée sur l'écran.
- 3 Sélectionnez le périphérique à partir duquel vous voulez afficher les images.
Appuyez plusieurs fois sur INPUT ou sur  (entrée) pour sélectionner le périphérique à utiliser pour la projection.

Mise hors tension

- 1 Appuyez sur le bouton I/⏻ (Marche/Veille). Le message « METTRE HORS TENSION? » apparaît sur l'écran.
- 2 Appuyez une nouvelle fois sur le bouton I/⏻ (Marche/Veille) avant que le message disparaisse.
L'indicateur ON/STANDBY clignote en vert et le ventilateur continue à tourner pour abaisser la température interne.

Le ventilateur s'arrête et l'indicateur ON/STANDBY cesse de clignoter en vert pour s'allumer en rouge.

Vous pourrez couper complètement l'alimentation, puis débrancher le cordon d'alimentation secteur.

Remarque

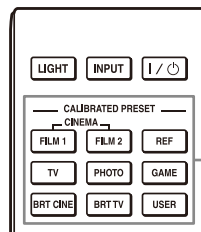
Ne jamais débrancher le cordon d'alimentation secteur lorsque l'indicateur clignote.

Conseil

Vous pouvez mettre l'appareil hors tension en maintenant le bouton I/⏻ (Marche/Veille) enfoncé pendant 1 seconde environ, plutôt qu'en suivant les étapes ci-dessus.


Sélection du mode d'affichage de l'image

Appuyez sur l'un des boutons CALIBRATED PRESET.



Boutons CALIBRATED PRESET

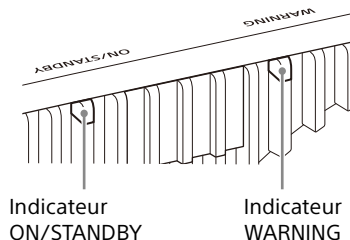
Paramètres	Description
CINEMA FILM 1 (Cinéma Film 1)	Qualité d'image adaptée à la reproduction d'images hautement dynamiques et nettes, typiques d'un chef-d'œuvre du cinéma.
CINEMA FILM 2 (Cinéma Film 2)	Qualité d'image adéquate pour la reproduction de tons riches et de couleurs dignes du cinéma, en fonction de l'option « Cinéma Film 1 ».
REF (Référence)	Qualité d'image adéquate pour reproduire fidèlement la qualité d'image d'origine ou pour profiter de la qualité d'image sans aucun réglage.
TV (TV)	Qualité d'image adéquate pour regarder des programmes TV, du sport, des concerts et d'autres images vidéo.
PHOTO (Photo)	Qualité d'image adéquate pour regarder des images fixes provenant d'un appareil photo numérique et d'autres dispositifs.
GAME (Jeu)	Qualité d'image adaptée aux jeux, avec des couleurs bien modulées et une réponse rapide.
BRT CINE (Cinéma lumière)	Qualité d'image adéquate pour regarder des films dans une pièce lumineuse.
BRT TV (TV lumière)	Qualité d'image adéquate pour regarder des programmes TV, du sport, des concerts et d'autres images vidéo dans une pièce lumineuse.
USER (Utilisateur)	Vous pouvez régler et ajuster la qualité de l'image selon vos goûts, puis enregistrer le paramètre. Le réglage en usine par défaut est identique à « Référence ».

Paramètres	Description
IMAX Enhanced	Qualité d'image adéquate pour regarder des contenus IMAX Enhanced. Appuyez sur le bouton MENU et sélectionnez parmi « Prérégl. étalon. » dans le menu Image  .

Pour plus d'informations reportez-vous à la section « Projection » du Guide d'aide.

À propos des indicateurs

L'indicateur ON/STANDBY ou WARNING s'allume ou clignote en cas de problème sur le projecteur. En cas de problème ou si un message d'erreur apparaît à l'écran, reportez-vous à la section « Gestion des erreurs » du Guide d'aide.



Indicateur ON/STANDBY

Indicateur WARNING

Clignotement/Éclairage des indicateurs	Nombre de clignotements	Cause et remède
<p>(S'allume en rouge) (Clignote en rouge)</p>	Trois fois	L'appareil ne s'allume pas correctement en raison d'une anomalie de la source lumineuse et de l'alimentation de la source lumineuse. Mettez hors tension l'appareil, puis remettez-le sous tension. Si ce symptôme persiste, consultez le service après-vente Sony.
<p>(Clignote en rouge) (Clignote en rouge)</p> <p>Les deux indicateurs clignent</p>	Deux fois	La température à l'intérieur du projecteur est anormalement élevée. Assurez-vous que rien ne colmate les orifices de ventilation et que l'appareil n'est pas utilisé à haute altitude.
	Trois fois	Le ventilateur est endommagé. Consultez le service après-vente Sony.

Remarque

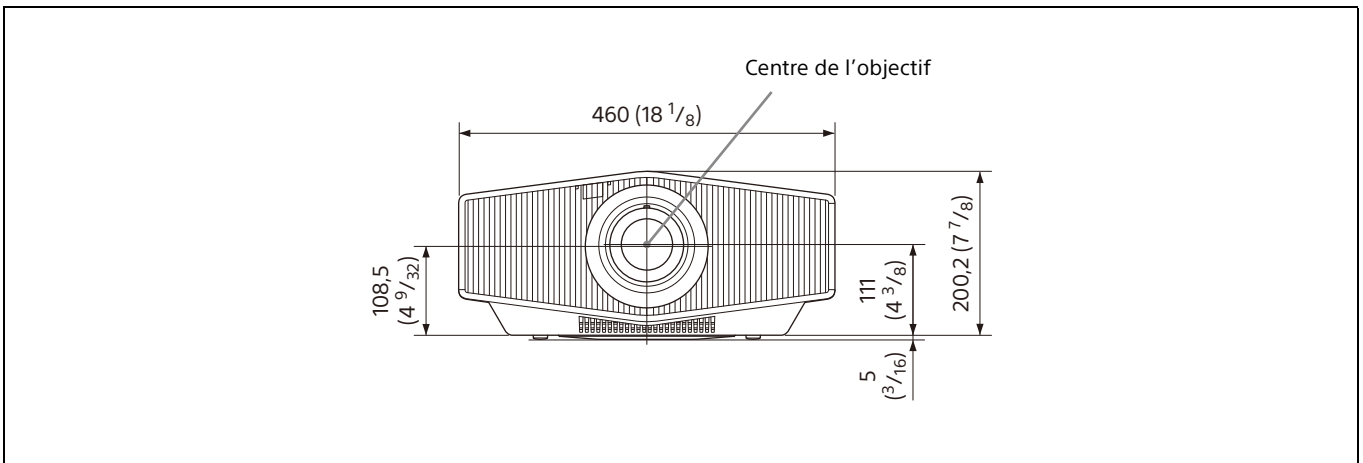
Si le symptôme persiste même après avoir suivi les méthodes décrites ci-dessus, consultez le service après-vente Sony. Si l'indicateur se met à clignoter d'une manière qui n'est pas décrite ci-dessus, éteignez et rallumez l'appareil en appuyant sur le bouton I/⏻ (Marche/Veille) de la télécommande ou du panneau de commande de l'appareil. Si le symptôme s'affiche toujours, consultez le service après-vente Sony.

En cas de problème ou si un message d'erreur apparaît à l'écran, reportez-vous à la section « Gestion des erreurs » du Guide d'aide.

Dimensions

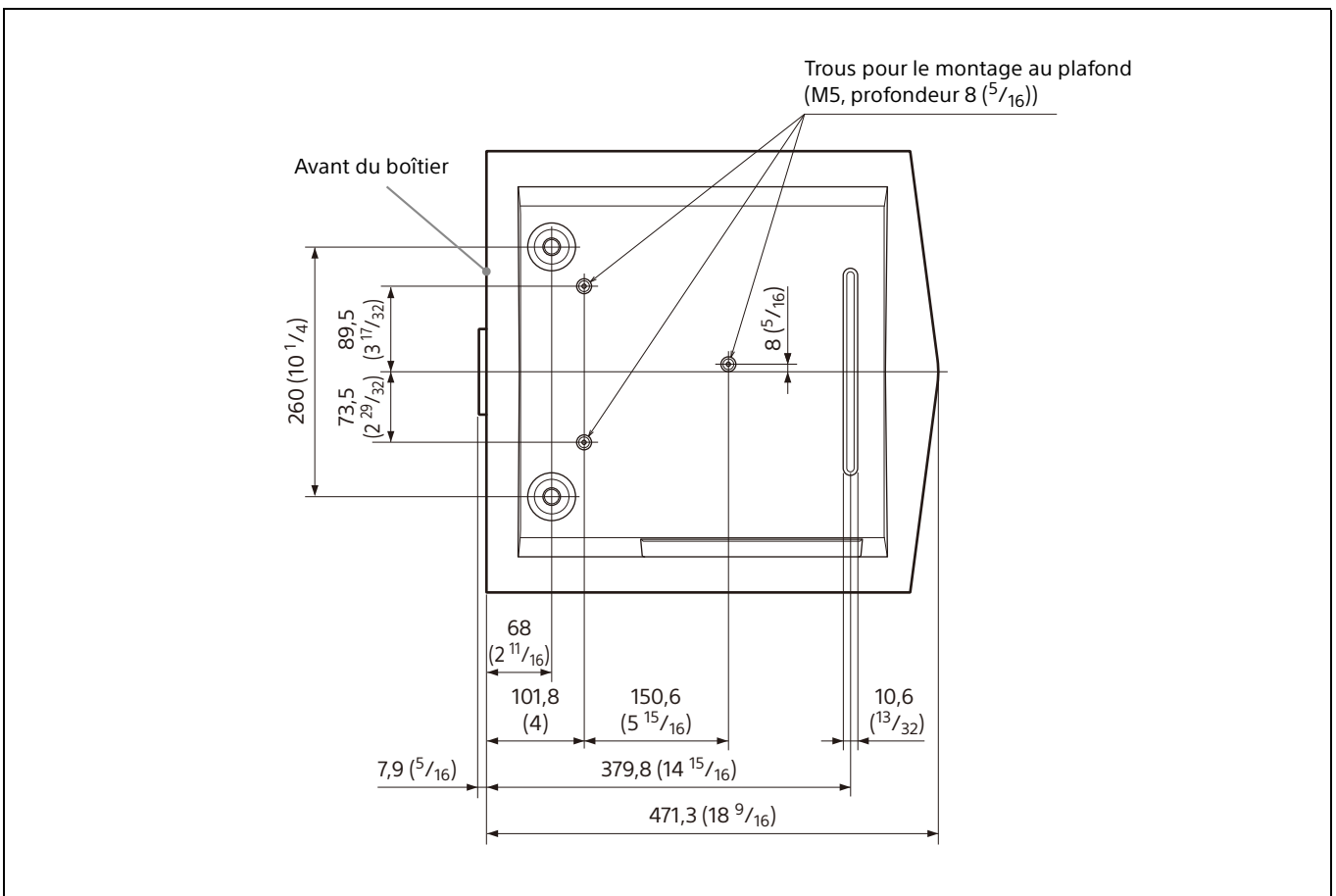
Avant

Unité : mm (pouces)



Dessous

Unité : mm (pouces)



Remarque

Trous pour le montage au plafond

Utilisez des vis d'une longueur de 6,4 mm ($1/4$ pouces minimum) à 8,0 mm ($5/16$ pouces maximum) pour le montage au plafond.

Couple de serrage recommandé (tension au moment de faire tourner les vis dans le sens de rotation) : $1,4 \pm 0,2$ N-m

